

QUICK INSTALLATION GUIDE <G063-8617>

Please read the Safety Information in the "Printer Reference" before using this machine. It contains important information related to USER SAFETY and PREVENTING EQUIPMENT PROBLEMS.

1

UNPACKING THE PRINTER AND CHECKING THE CONTENTS OF THE BOX

Caution

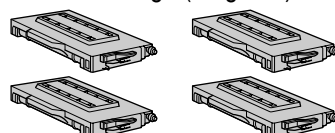
- To prevent injury, this printer should be lifted by at least two people.

1 Check the contents of the box according to the following list. If one or some items are missing, please contact your sales or service representative.

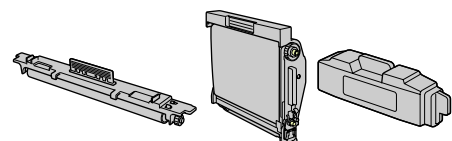
Important

- The parallel cable is not included in the box. It is your responsibility to provide the parallel cable appropriate for the computer you are using.

- Quick Installation Guide (this sheet)
- Setup Guide
- CD-ROM
- Toner Cartridge (Black)
- Toner Cartridge (Yellow)
- Toner Cartridge (Cyan)
- Toner Cartridge (Magenta)



- Fuser Cleaner
- Photoconductor Unit
- Fuser Oil Bottle

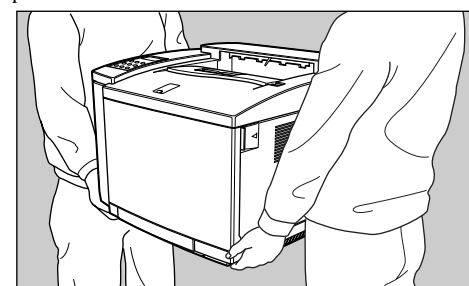


- Power Cord
- Additional Documentation

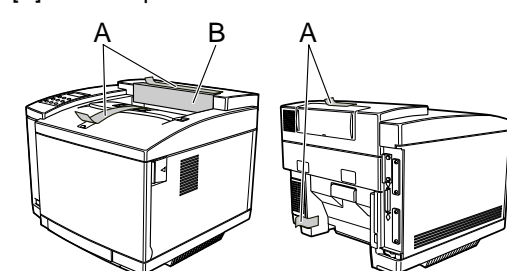
2 Remove the plastic bag.

3 Lift the printer and move it to the place where you want to install it.

When lifting the printer, use the inset grips on both sides of the printer.



4 Remove adhesive tape [A] and packing material [B] from the printer.



2

WHERE TO PUT THE PRINTER

The printer's location should be carefully chosen because environmental conditions greatly affect its performance.

Warning

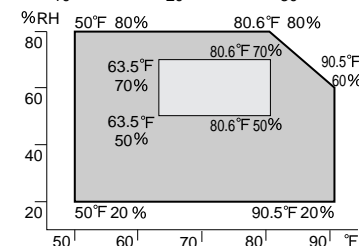
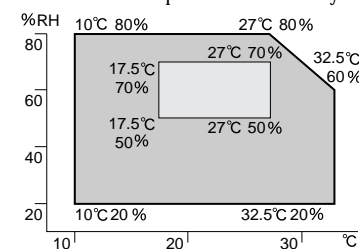
- Confirm that the wall outlet is near the machine and freely accessible, so that in event of an emergency, it can be unplugged easily.
- Only connect the machine to the power source described on this sheet.
- Avoid multi-wiring.
- Do not damage, break or make any modifications to the power cord. Do not place heavy objects on it, pull it hard or bend it more than necessary. These actions could cause an electric shock or fire.

Caution

- Keep the machine away from humidity and dust. A fire or an electric shock might occur.
- Place the machine on a strong and level surface. Otherwise, the machine might fall and cause personal injury.
- If you use the machine in a confined space, confirm that there is a continuous flow of air.

1 Optimum Environmental Conditions

Recommended temperature and humidity



Legend: Possible operation range Recommended range

The machine must be level within 5 mm, 0.2" both front to rear and left to right.

To avoid possible build-up of ozone, place this printer in a large well ventilated room that has an air turnover of more than 30 m³ /hr/ person.

If you use this printer in a cold area, leave the printer on or severe cold might damage sensitive components inside the printer.

2 Environments to Avoid

Important

- Locations exposed to direct sunlight or strong light
- Dusty areas
- Areas with corrosive gases
- Areas excessively cold, hot, or humid
- Locations near an air conditioner or humidifier
- Locations near other electronic equipment
- Locations where the printer might be subjected to frequent strong vibration

3

Power Connection

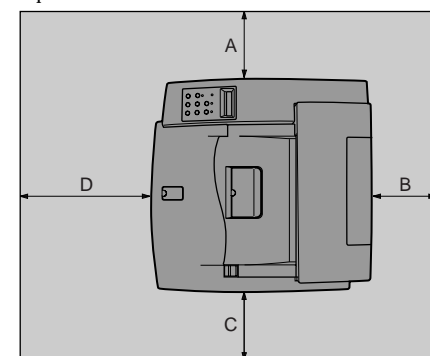
Connect the power cord to a power source with the following specifications:

- 120 V, 50/60 Hz, 11 A or more

4

Space Required for Installing the Printer

Leave enough space around the printer. This space is necessary to operate the printer. The recommended (or minimum) space requirement is as follows:



A: more than 50 cm (19.7")

B: more than 20 cm (7.9")

C: more than 50 cm (19.7")

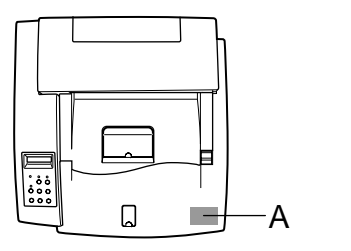
D: more than 70 cm (27.6")

5

Attaching the Sticker

A sticker, stating that paper for an ink-jet printer cannot be used with this printer, is supplied.

Please attach the sticker to the bottom right corner of the top of the printer [A] so that the sticker is easy to see.



3

INSTALLING THE FUSER OIL BOTTLE AND FUSER CLEANER

Caution

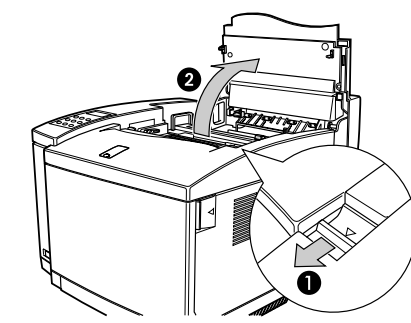
- Do not incinerate the oil bottle. This action could cause a fire or a personal injury.
- Spill oil is very slippery. If oil is spilled, wipe it up with an alkaline cleaner. Otherwise, the oily surfaces can create the danger of slipping and personal injury.

Important

Prior to moving or transporting the printer, wipe out the fuser oil completely as explained in the "Printer Reference" included as a PDF file on the CD-ROM.

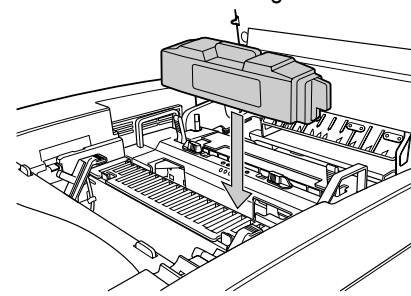
1

Pull the top cover open lever 1, to open the top cover 2.



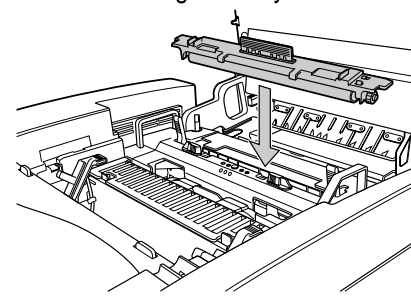
2

Insert the oil bottle. When inserting, the side with the label should be facing toward you, and the mouth of the bottle facing down.



3

Install the fuser cleaner. When installing, the roller should be facing toward you.

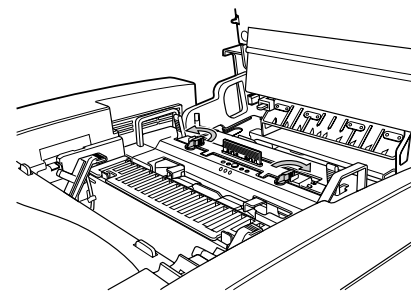


4

Turn the lock levers to hold the oil bottle and fuser cleaner.

Note

- Turn the right lock lever clockwise, and the left one counterclockwise.



4

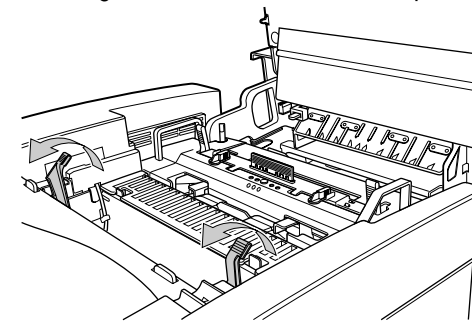
INSTALLING THE PHOTOCONDUCTOR UNIT

Important

- Do not touch the surface of the photoconductor unit. This could damage the photoconductor unit and reduce the print quality.
- Do not expose the photoconductor unit to a light source greater than 800 luxes for more than two minutes. This could damage the photoconductor unit and reduce the print quality.

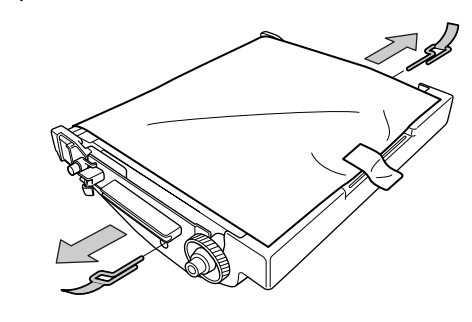
1

Lift the green lock levers to a vertical position.



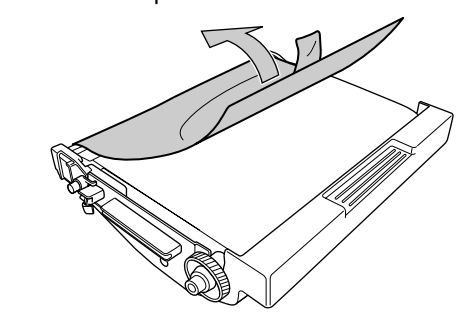
2

Remove the pins on both sides of the photoconductor unit.



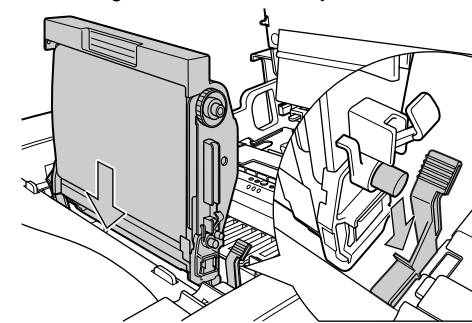
3

Remove the protective sheet.



4

Insert the photoconductor unit so that the protruding axles on both sides are aligned with the tracks inside the green lock levers. Lower it until the gears mesh securely.

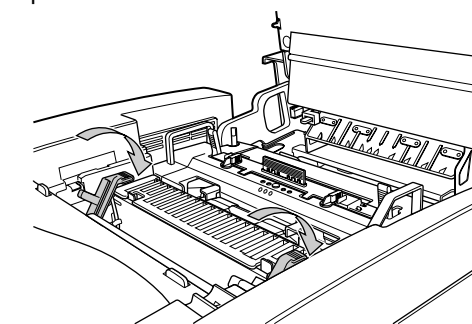


Important

- When inserting the photoconductor unit, be careful not to touch or damage the surface.

5

Return the green lock levers to their original positions.

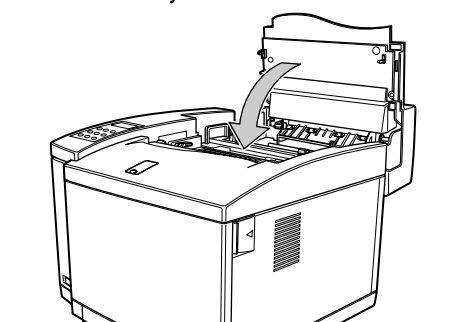


Important

- Do not return lock levers with force. If you cannot lock them easily, remove the photoconductor unit from the printer. Then insert it again until the gears mesh securely. After that, try again to return the levers to their original positions.

6

Close the top cover until the center of the cover locks securely.



5

INSTALLING THE TONER CARTRIDGES

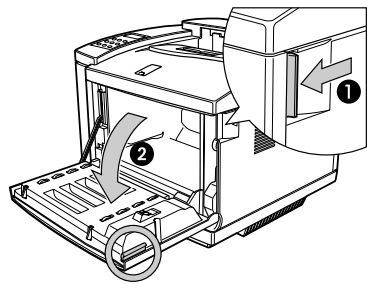
Warning

- Do not incinerate spilled toner or used toner. Toner dust might ignite when exposed to an open flame.
- Disposal can take place at our authorized dealer or at an appropriate collection site.
- If you dispose of the used toner containers yourself, dispose of them according to your local regulations.

Caution

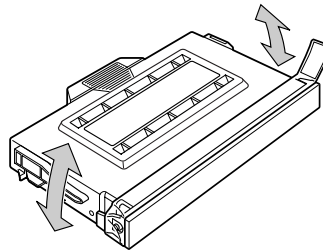
- Do not open the front cover when the paper tray is pulled out halfway. If you do, it might cause a personal injury.
- Do not eat or swallow toner.
- Keep toner (used or unused) and toner cartridges out of reach of children.
- Our products are engineered to meet the highest standards of quality and functionality. When purchasing expendable supplies, we recommend using only those provided by an authorized dealer.

- Pull the front cover open lever ①, to open the front cover ②.



ZDH4165E

- Hold the new toner cartridge (cyan) and shake it well, about 3 to 4 times, as shown in the illustration.

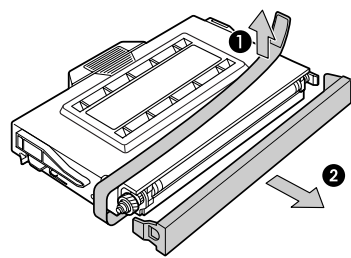


ZDH7209E

Important

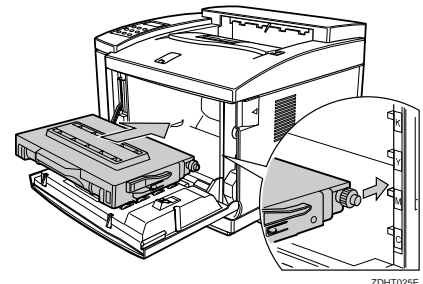
- If the toner cartridge is not shaken enough, toner might not be evenly distributed in the cartridge. In this case, the print quality might be reduced.

- Remove the tape ① and the protective cover ② as shown in the illustration.



ZDH7209E

- Align the toner cartridge (cyan) to the "C" mark of the printer as shown in the illustration. Slide the cartridge in along the printer's guide rail.



ZDH7209E

Important

- Do not use excessive force in sliding in the cartridge.

Note

- When inserting the cartridge, the side with the seal should be up.

- Repeat steps 2 - 4 for installing the magenta, yellow, and black toner cartridges. When installing, start with the magenta toner cartridge, then yellow, and then black.

- Close the front cover until the center of the front cover locks securely.

6

INSTALLING THE PAPER TRAY

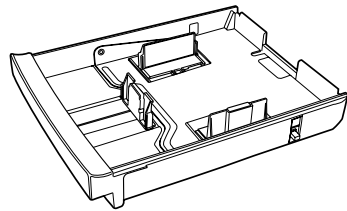
Caution

- The paper tray does not have a stopper. When pulling it out, be careful not to pull it strongly. If you do, the tray might fall and cause personal injury.

The following procedure describes how to load A4 paper.

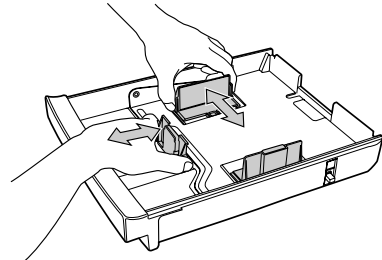
For more information about the paper sizes that can be set in the paper tray, see "Paper and Other Media Supported by This Printer" in the "Printer Reference" included as a PDF file on the CD-ROM.

- Pull the paper tray out of the printer. Place it on a flat surface.



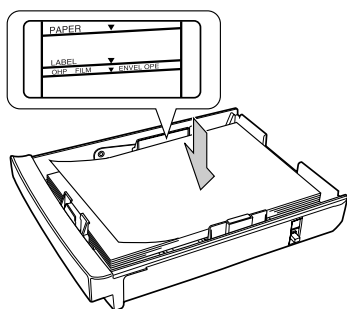
ZDH4167E

- If necessary, slide the front and side guides to the paper size you want to use.



ZDH4168E

- Load paper into the paper tray, with the print side up.



ZDH4168E

Important

- Make sure that the top of the stack is not higher than the limit mark inside the tray.
- The front and side guides should be set exactly to the paper size to avoid paper feed problems.
- Do not load different kinds of paper in the tray.

Note

- If you set a custom paper size, you should enter the paper size with the printer's operation panel. For more information, see "Loading Paper in the Paper Tray" in the "Printer Reference" included as a PDF file on the CD-ROM.

- Slide the paper tray completely into the printer.

Important

- Be sure to insert the paper tray completely. Otherwise, misfeeds might occur, or the front cover might touch the paper tray.

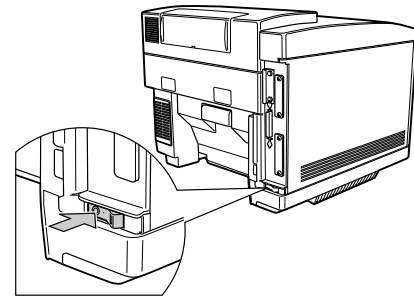
7

CONNECTING THE POWER CORD

Caution

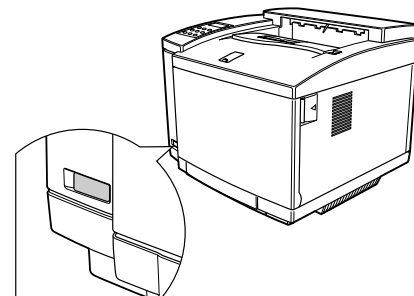
- When you pull the plug out of the socket, grip the plug to avoid damaging the cord and causing a fire or an electric shock.
- It is dangerous to handle the plug with wet hands. Doing this may result in receiving an electric shock.

- Check that the printer's main power switch (on the rear) is set to the Off position.



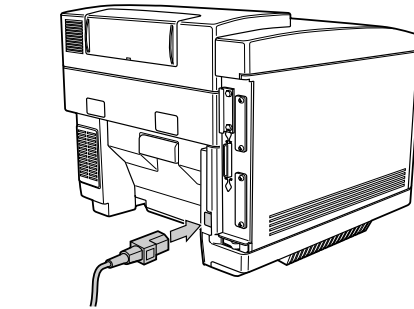
ZDH4167E

- Check that the printer's power switch is set to the Off position (not depressed).



ZDH4168E

- Attach the power cord to the socket on the back side of the printer.



ZDH4168E

- Plug the other end securely into the wall outlet.

8

SELECTING THE PANEL DISPLAY LANGUAGE

Follow the procedure below to select a language.

Note

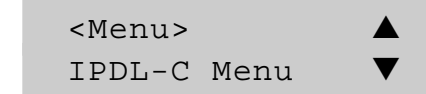
- You can select one of the following languages: English, German, French, Italian, Dutch, Spanish, or Japanese.
- The default setting is English.
- If you want to use the English panel display, it is not necessary for you to do the following procedures.

- Turn on the printer. First set the main power switch to the On position, and then depress the power switch.

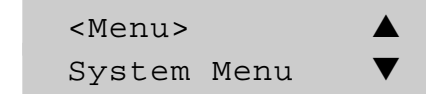
After the machine warms up, the ready message appears on the panel display.

- Press the Menu key.

The following message appears on the panel display.

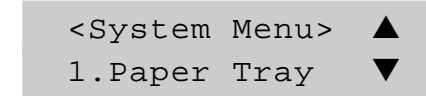


- Press the ▲ or ▼ key to display "System Menu".

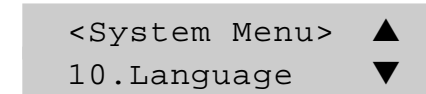


- Press the Enter key.

The following message appears on the panel display.



- Press the ▲ or ▼ key to display "10.Language".



- Press the Enter key.

- Press the ▲ or ▼ key until the language you want to select appears on the lower line of the panel display.

- Press the Enter key.

- Press the On Line key.

The On Line indicator is lit.

- Press the On Line key again.

The On Line indicator turns off.

- Press the Reset key.

The setting becomes effective.

9

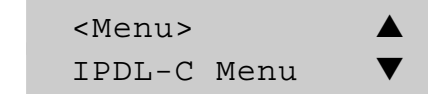
PRINTING THE TEST PAGE

You can check if the printer works properly by printing a test page such as the configuration page. However, you cannot check the connection between the printer and the computer by printing the test page.

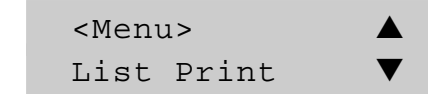
- Turn on the printer. First set the main power switch to the On position, and then depress the power switch.

- Press the Menu key.

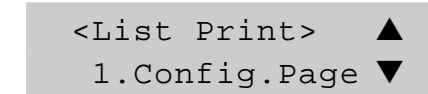
The following message appears on the panel display.



- Press the ▼ or ▲ key to display "List Print", and then press the Enter key.

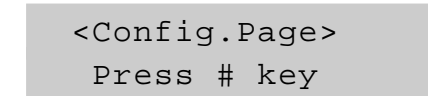


The following message appears on the panel display.



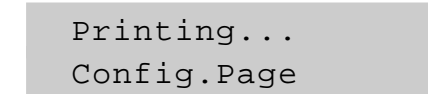
- Confirm that "1.Config.Page" is on the display, and then press the Enter key.

The following message appears on the panel display.



- Press the Enter key.

In a short time, the test printing will start.



Important

- If you cannot complete the test printing correctly, see if an error message appears on the panel display. For more information about error messages, see "Troubleshooting" in the "Printer Reference".

- Press the On Line key.

- Turn off the printer's power switch.

10

CONNECTING THE PRINTER TO A COMPUTER

Connect the printer to a computer using a parallel cable.

Important

- The parallel cable is not provided with the printer. It is your responsibility to provide the parallel cable appropriate for the computer that you are using.
- The printer's parallel connection is a standard bi-directional interface. It requires a standard 36-pin parallel cable compliant with IEEE1284 and the parallel port on the computer.
- To avoid electrical interference, use a shielded cable.

Note

- Do not use a parallel cable more than 2.5 meters (8.2 feet) long.

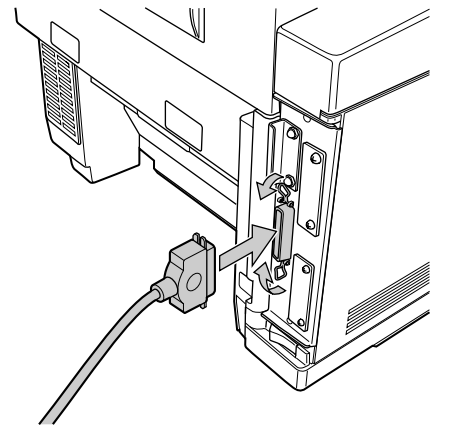
- Confirm that the printer's power switch is turned off. If it is on, turn it off.

- Turn the computer off.

- Attach the parallel cable to the port of the printer. Secure the cable with the metal fittings as shown in the illustration.

Important

- Rating voltage of the parallel port for the computer: Max. DC 5V.



ZDH4056E

- Attach the other end of the parallel cable to the port of the computer. Secure the cable.

11

SETTING UP FOR PRINTING

Printing requires installation of a printer driver to the operating system.

Reference

- See "Printer Driver for This Printer" in the "Setup Guide".
- If you want to install options, see "Installing Options" in the "Setup Guide".